



T&S BRASS AND BRONZE WORKS, INC.

2 Saddleback Cove / P.O. Box 1088
Travelers Rest, SC 29690



REG. #A2601
ISO #9001

Model No.
B-1210

Item No.

Travelers Rest, SC: 800-476-4103 Simi Valley, CA: 800-423-0150 Fax: 864-834-3518 www.tsbrass.com

This Space for Architect/Engineer Approval

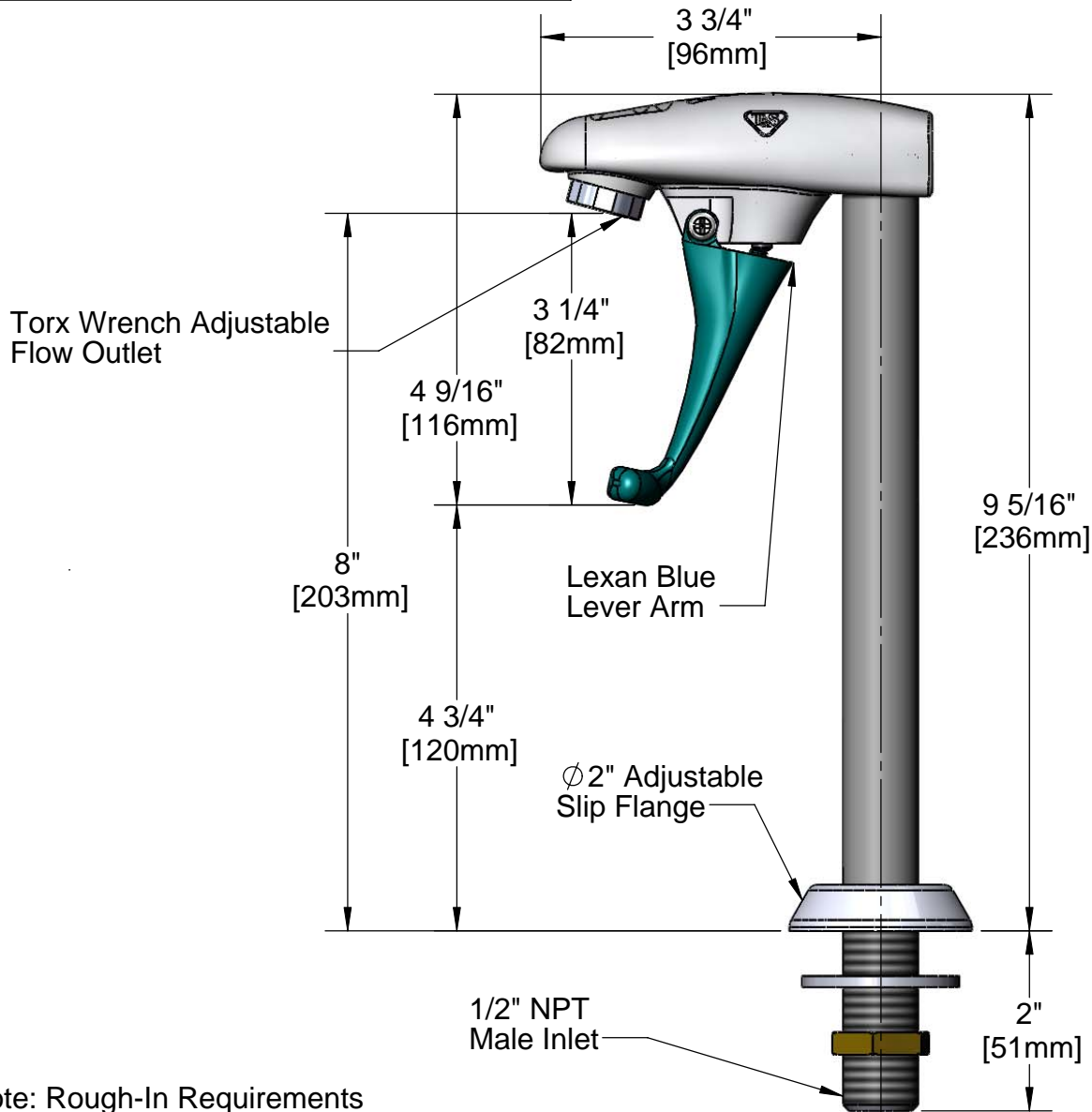
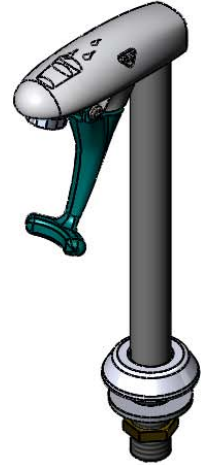
Job Name _____ Date _____

Model Specified _____ Quantity _____

Customer/Wholesaler _____

Contractor _____

Architect/Engineer _____



Note: Rough-In Requirements
Hole: 1"[25mm] Diameter

Product Specifications:

Pedestal Type Glass Filler, Push Back Design, 1/2" NPT Male Shank, Adjustable Flange, Blue Self-Closing Lexan Arm

Drawn JRM	Checked GEF	Approved JHB
Scale: 1:2		Date: 10/21/09



T&S BRASS AND BRONZE WORKS, INC.
 2 Saddleback Cove / P.O. Box 1088
 Travelers Rest, SC 29690



REG. #A2601
 ISO #9001

Model No.
B-1210

Item No.

Travelers Rest, SC: 800-476-4103 Simi Valley, CA: 800-423-0150 Fax: 864-834-3518 www.tsbrass.com

ITEM NO.	SALES NO.	DESCRIPTION
1	015588-40	Adjustable Outlet w/Torx Wrench
2	015589-40	Valve Assembly
3	015550-45	Lever Arm Repair Kit
4	016783-40	Adjustable Deck Flange Repair Kit
5	015887-40	Pedestal Assembly
6	015886-40	B-1210 Pedestal



Product Specifications:

Pedestal Type Glass Filler, Push Back Design, 1/2" NPT Male Shank, Adjustable Flange, Blue Self-Closing Lexan Arm

Drawn JRM	Checked GEF	Approved JHB
Scale: 1:4		Date: 10/21/09



ZHEJIANG SUNMIXER SANITARY WARE CO.,LTD.

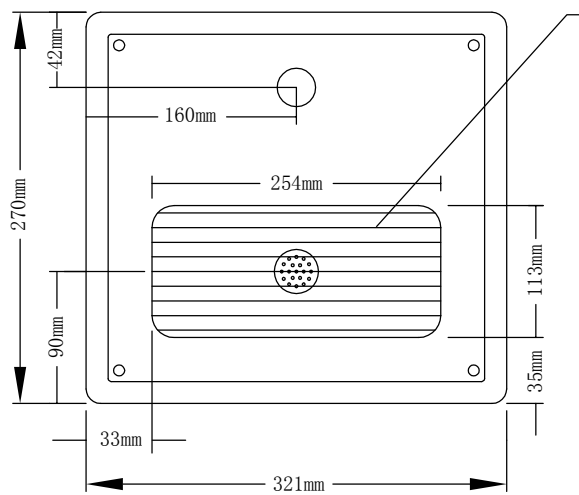
Add: Science & Technology Industrial Zone, Chumen, Yuhuan, Zhejiang, China 317605

Tel: +86-576-87121119 Fax: +86-576-87121319 Http://www.pre-rinse.com

Model No.

9851-S

Item No.



DROP IN GRID

NOTE1:AVAILABLELESS(4)
CORNER MOUNTING HOLES
IF SPECIFIED.

NOTE2:18GAUGE STAINLESS
STEEL PAN WITH BEADED EDGE.
SUPPLIED WITH MASTIC&
STAINLESS STEEL SCREWS
FOR MOUNTING.

NOTE3:SUGGESTED CUT OUT
SIZE FOR PAN IS 10-1/2"X5"
CUSTOMER TO BERIFY ACTUAL
CUT-OUT NEEDED PRIOR TO
INSTALLATION